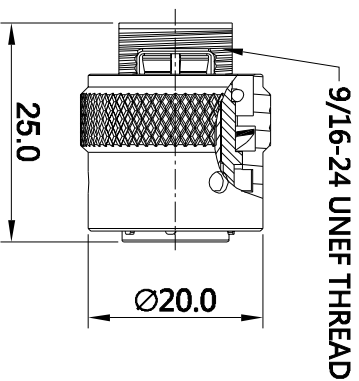
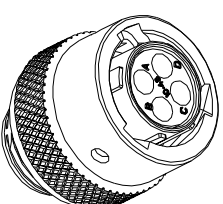
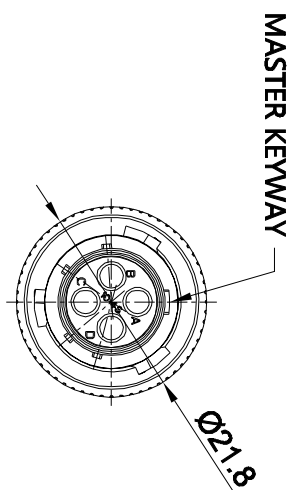


REVISIONS				
REV	ECO	DESCRIPTION	DATE	BY APPR
B1	-	RELEASED DRAWING	JUN-29-2014	BEN TOMMY



NOTES : (UNLESS OTHERWISE SPECIFIED)

- MATERIAL :
SHELL : ZINC ALLOY , NICKEL PLATED.
INSERT : THERMOPLASTIC , UL94 V-0.
COUPLING NUT : AL ALLOY , NICKEL PLATED.
WAVE WASHER : STAINLESS STEEL.
O-RING : NBR/SILICONE RUBBER.
- SPECIFICATIONS :
2.1 RATED CURRENT : 13A (MAX).
2.2 RATED VOLTAGE : 300V (AC/DC).
2.3 OPERATING TEMPERATURE : SEE CHART.
2.4 DIELECTRIC WITHSTANDING VOLTAGE : LESS THAN 2 MILLIAMPS CURRENT LEAKAGE@2000 VOLTS AC.
2.5 INSULATION RESISTANCE : 5000 MEGOHMS MIN.
2.6 IP--CLASS : IP67.
- SUITABLE CONTACTS : 16# CONTACTS.
- ALL DIMENSIONS ARE FOR REFERENCE USE ONLY.

KEY POS	PART NUMBER	
	-40°C ~ 105°C	-40°C ~ 125°C
N	RT06104SNH	RT06104SNH03
W	RT06104SWH	RT06104SWH03
X	RT06104SXH	RT06104SXH03
Y	RT06104SYH	RT06104SYH03
Z	RT06104SZH	RT06104SZH03

QUANTITY	SEE PART NUMBER CHART	DESCRIPTION	ITEM
PART NUMBER	MATERIALS LIST		

UNLESS OTHERWISE SPECIFIED	DESIGN	DATE	SIZE	TYPE	DWG NO.	REV.
1) All dimensions are in millimeters (mm). 2) Tolerances are as follows: 1 PL, DEC 0.130 2 PL, DEC 0.100 3 PL, DEC 0.075 3) Note reference =	BEN	JUN2014	B	C	RT06104S*H*	B1
PROCESS SPECIFICATIONS	ENGINEER	APPROVAL	ECO-MATE PLUG, SIZE 10, POS. SOCKET.			
MATERIAL SPECIFICATIONS	CUSTOMER	THIS DRAWING IS SUPPLIED FOR SPECIFICATIONS AND PERFORMANCE DATA. THE MANUFACTURER ASSUMES NO LIABILITY FOR REPRODUCTION AND ALL RIGHTS OF REPRODUCTION ARE RESERVED. ALL MANUFACTURING VARIATION				
NEXT ASST.	<p style="text-align: center;">Amphenol</p> <p>Sine Systems - www.amphenol-sine.com 44724 Motley Drive Clinton Township, MI 48038</p>					