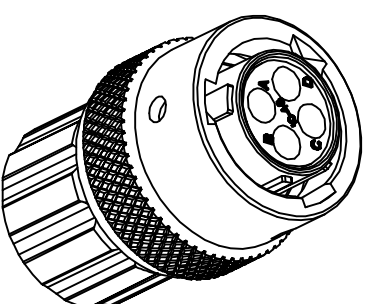
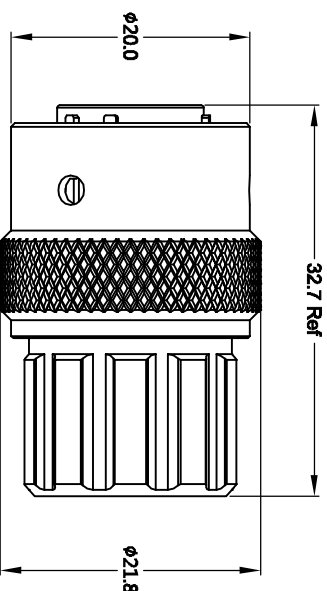
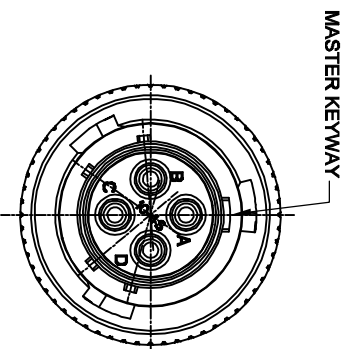


| REVISIONS | | | | | |
|-----------|-----|----------------------|-------------|-----|-------|
| REV | ECO | DESCRIPTION | DATE | BY | APPR |
| B1 | - | RELEASED DRAWING | Nov-23-2014 | Ban | Tommy |
| B2 | - | Modify the lettering | Jan-19-2016 | Ban | Tommy |



NOTES : (UNLESS OTHERWISE SPECIFIED)
 1. MATERIAL :

- SHELL : ZINC ALLOY , NICKEL PLATED.
 - INSERT : THERMOPLASTIC , UL94 V-0.
 - END CAP : THERMOPLASTIC , UL94 V-0.
 - COUPLING NUT : AL ALLOY , NICKEL PLATED.
 - WAVE WASHER : STAINLESS STEEL.
 - O-RING : NBR/SILICONE RUBBER.
 - WIRE SEAL : SILICONE RUBBER.
 - PLASTIC BUSHING : THERMOPLASTIC , UL94 V-0.
2. SPECIFICATIONS :
- 2.1 RATED CURRENT : 13A (MAX).
 - 2.2 RATED VOLTAGE : 300V (AC/DC).
 - 2.3 OPERATING TEMPERATURE : SEE CHART.
 - 2.4 DIELECTRIC WITHSTANDING VOLTAGE : LESS THAN 2 MILLIAMPS CURRENT LEAKAGE@2000 VOLTS AC.
 - 2.5 INSULATION RESISTANCE : 5000 MEGOHMS MIN.
 - 2.6 IP--CLASS : IP67.
 - 2.7 MATING CYCLES DURABILITY : 500 CYCLES(MIN).
 - 2.8 ROHS COMPLIANT.
3. SUITABLE CONTACTS : 16# CONTACTS.
4. ALL DIMENSIONS ARE FOR REFERENCE USE ONLY.
5. CONTACT SIZE AND REAR SEAL WIRE RANGE :

| CONTACT SIZE | MIN. INSUL. O.D. | MAX. INSUL. O.D. | WIRE RANGE |
|--------------|------------------|------------------|------------|
| 16# | φ2.0mm | φ3.2mm | 14 - 24AWG |

| KEY POS | PART NUMBER | |
|---------|---------------|----------------|
| | -40°C ~ 105°C | -40°C ~ 125°C |
| N | RT06104SNHEC | RT06104SNHEC03 |
| W | RT06104SWHEC | RT06104SWHEC03 |
| X | RT06104SXHEC | RT06104SXHEC03 |
| Y | RT06104SYHEC | RT06104SYHEC03 |
| Z | RT06104SZHEC | RT06104SZHEC03 |

| QUANTITY | PART NUMBER | DESCRIPTION | ITEM |
|-----------------------|-------------|-------------|------|
| SEE PART NUMBER CHART | | | |

| MATERIALS LIST | | SIGNATURES | | DATE |
|-------------------------------|-------------------------------------|------------|-----|-------------|
| UNLESS OTHERWISE SPECIFIED | 1) All dimensions are in metric/mm. | DRAWN | Ban | Jan-19-2016 |
| 2) Tolerances are as follows: | 1. PL DEC 20.00 | CHECKED | | |
| 3) Note reference = | Angles 4th | ENGINEER | | |
| | | APPROVAL | | |

| MATERIAL SPECIFICATIONS: | | CUSTOMER | |
|--------------------------|--|-------------------------------------|--|
| PROCESS SPECIFICATIONS: | | THIS DRAWING IS QUOTED FOR | |
| NEXT ASMT: | | REPRODUCTION ONLY. DESIGN FEATURES, | |
| | | OR REPRODUCTION ARE IMPLIED. ALL | |
| | | DIMENSIONS ARE SUBJECT TO NORMAL | |

| SIZE | TYPE | DWG NO. | REVISION |
|-------------|------|---------------|--------------|
| B | C- | RT06104SYHEC* | B2 |
| SCALE: NONE | | | Sheet 1 of 1 |

Amphenol
 Sine Systems - www.amphenol-sine.com
 44724 Morley Drive
 Clinton Township, MI 48036

ECO-MATE PLUG,
 SIZE 10.4POS, SOCKET, END CAP.