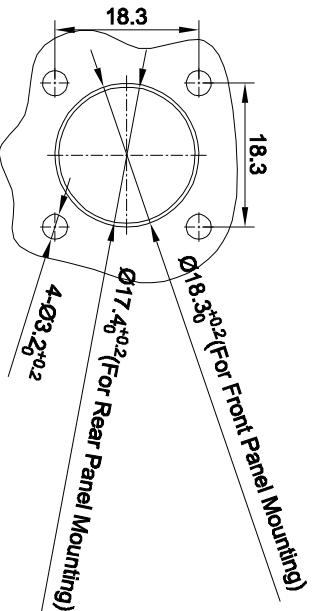
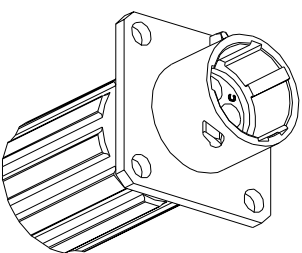
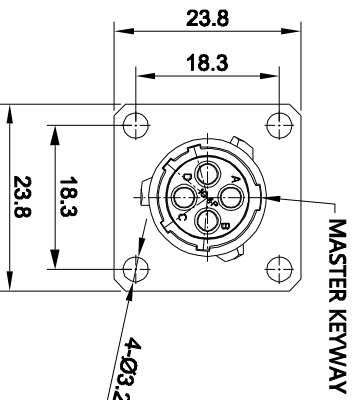
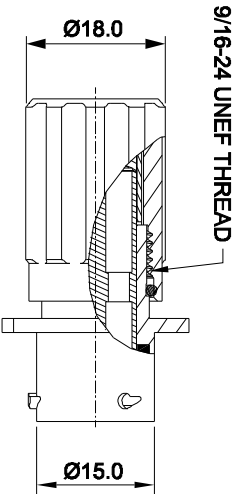


REVISIONS				
REV	ECO	DESCRIPTION	DATE	BY APPR
B1	-	RELEASED DRAWING	Nov-17-2014	Ben Tommy



KEY POS	PART NUMBER	
	-40°C ~ 105°C	-40°C ~ 125°C
N	RT00104PNHEC	RT00104PNHEC03
W	RT00104PWHEC	RT00104PWHEC03
X	RT00104PXHEC	RT00104PXHEC03
Y	RT00104PYHEC	RT00104PYHEC03
Z	RT00104PZHEC	RT00104PZHEC03

- NOTES : (UNLESS OTHERWISE SPECIFIED)
- MATERIAL :
SHELL : ZINC ALLOY , NICKEL PLATED.
INSERT : THERMOPLASTIC , UL94 V-0.
END CAP : THERMOPLASTIC , UL94 V-0.
PLASTIC BUSHING : THERMOPLASTIC , UL94 V-0.
SEAL GASKET : NBR/SILICONE RUBBER.
O-RING : NBR/SILICONE RUBBER.
WIRE SEAL : SILICONE RUBBER.
 - SPECIFICATIONS :
2.1 RATED CURRENT : 13A (MAX).
2.2 RATED VOLTAGE : 300V (AC/DC).
2.3 OPERATING TEMPERATURE : SEE CHART.
2.4 DIELECTRIC WITHSTANDING VOLTAGE : LESS THAN 2 MILLAMPS CURRENT LEAKAGE @ 2000 VOLTS AC.
2.5 INSULATION RESISTANCE : 5000 MEGOHMS MIN.
2.6 IP--CLASS : IP67.
2.7 MATING CYCLES DURABILITY : 500 CYCLES MIN.
2.8 ROHS COMPLIANT.
 - SUITABLE CONTACTS : 16# CONTACTS.
 - ALL DIMENSIONS ARE FOR REFERENCE USE ONLY.
 - CONTACT SIZE AND REAR SEAL WIRE RANGE:

CONTACT SIZE	MIN. INSUL. O.D.	MAX. INSUL. O.D.	WIRE RANGE
16#	Ø2.0mm	Ø3.2mm	14 - 24AWG

QUANTITY	SEE PART NUMBER CHART	PART NUMBER	DESCRIPTION	ITER
MATERIALS LIST				

SIGNATURES	DATE	ECO-MATE RECEPTACLE, SIZE 10, 4POS. PIN, END CAP.
DRAWN: Ben	10/17/14	
CHECKED: [Signature]		
ENGINEER: [Signature]		
APPROVAL: [Signature]		
CUSTOMER: [Signature]		

UNLESS OTHERWISE SPECIFIED	PROCESS SPECIFICATIONS:	THIS DRAWING IS SUPPLIED FOR
1) All dimensions are in millimeters. 2) Tolerances are as follows: 1 Pl. DEC 0.25 2 Pl. DEC 0.20 3 Pl. DEC 0.15 4) Hole reference = Δ		SPECIFICATIONS AND PERFORMANCE DATA FROM THE MANUFACTURER'S DATA SHEET. THE MANUFACTURER'S DATA SHEET IS THE SOURCE OF REPRODUCTION AND ALL RIGHTS OF REPRODUCTION ARE RESERVED. ALL MANUFACTURING VARIATION.
NEXT ASST.		SCALE: NONE

ECO-MATE RECEPTACLE, SIZE 10, 4POS. PIN, END CAP.

DWG NO: RT00104PHEC*

REV: B1

SH: 1

QF: 1