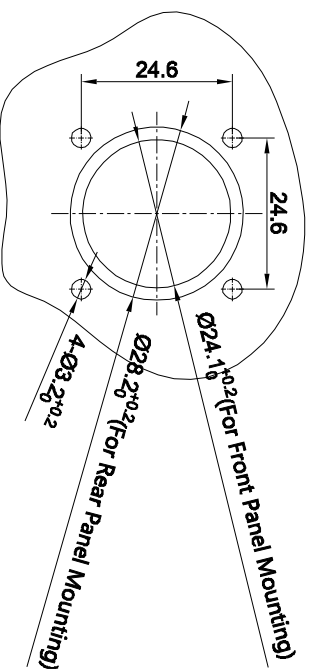
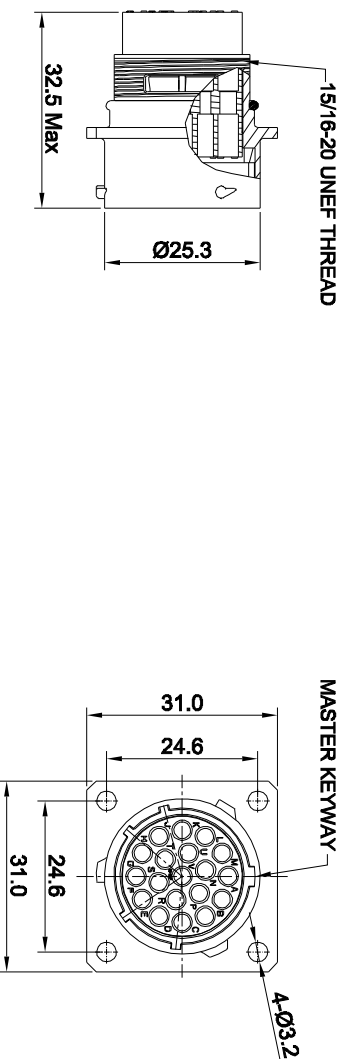


REVISIONS				
REV	ECO	DESCRIPTION	DATE	BY APPR
B1	-	RELEASED DRAWING	JUN-17-2014	BEN TOMMY



- NOTES : (UNLESS OTHERWISE SPECIFIED)
- MATERIAL :
SHELL : ZINC ALLOY , NICKEL PLATED.
INSERT : THERMOPLASTIC , UL94 V-0.
O-RING : NBR/SILICONE RUBBER.
SEAL GASKET : NBR/SILICONE RUBBER.
 - SPECIFICATIONS :
2.1 RATED CURRENT : 13A (MAX).
2.2 RATED VOLTAGE : 300V (AC/DC).
2.3 OPERATING TEMPERATURE : SEE CHART.
2.4 DIELECTRIC WITHSTANDING VOLTAGE : LESS THAN 2 MILLIAMPS CURRENT LEAKAGE@2000 VOLTS AC.
2.5 INSULATION RESISTANCE : 5000 MEGOHMS MIN.
2.6 IP--CLASS : IP67.
2.7 MATING CYCLES DURABILITY : 500 CYCLES MIN.
2.8 ROHS COMPLIANT.
 - SUITABLE CONTACTS : 16# CONTACTS.
 - ALL DIMENSIONS ARE FOR REFERENCE USE ONLY.

KEY POS	PART NUMBER	
	-40°C ~ 105°C	-40°C ~ 125°C
N	RT001619PNH	RT001619PNH-03
W	RT001619PWH	RT001619PWH-03
X	RT001619PXH	RT001619PXH-03
Y	RT001619PYH	RT001619PYH-03
Z	RT001619PZH	RT001619PZH-03

QUANTITY	SEE PART NUMBER CHART	PART NUMBER	DESCRIPTION	ITER

MATERIALS LIST

UNLESS OTHERWISE SPECIFIED	SIGNATURES	DATE	DESCRIPTION
1) ALL DIMENSIONS ARE IN MILLIMETERS. 2) TOLERANCES ARE AS SHOWN. 3) PL. DIMS. AS SHOWN. 4) UNLESS OTHERWISE SPECIFIED, ALL DIMENSIONS ARE IN MILLIMETERS.	DRAWN: BEN CHECKED: JIM/ZH ENGINEER: [Signature] APPROVAL: [Signature]	JUN/17/14	ECO-MATE RECEPTACLE, SIZE 16, 19POS, PIN.

PROCESS SPECIFICATIONS:	THIS DRAWING IS SUPPLIED FOR SPECIFICATIONS AND PERFORMANCE DATA. THE DRAWING IS NOT TO BE USED FOR REPRODUCTION OR REPRODUCTION AND REPRODUCTION. ALL DIMENSIONS ARE IN MILLIMETERS.	SCALE:	SIZE:	TYPE:	DWG NO:	REVISION:
NEXT ASST:		NONE	B	C-	RT001619P*H*	B1

Amphenol
Sine Systems - www.amphenol-sine.com
44724 Morley Drive
Clinton Township, MI 48038

ECO-MATE RECEPTACLE,
SIZE 16, 19POS, PIN.