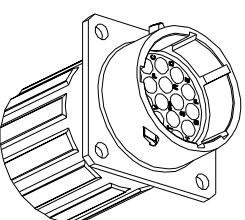
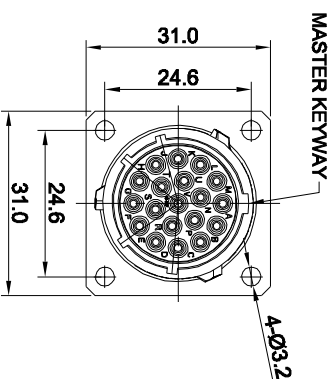
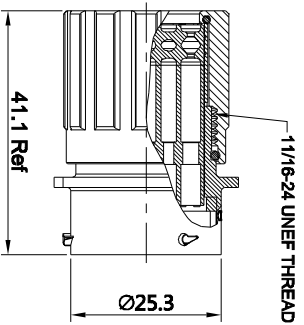
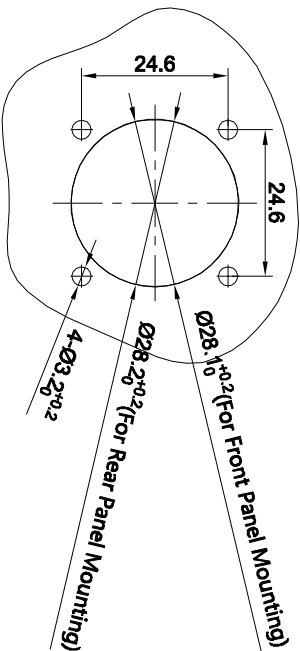


REVISIONS				
REV	ECO	DESCRIPTION	DATE	BY APPR
B1	-	RELEASED DRAWING	Nov-23-2014	Ben Tommy



NOTES : (UNLESS OTHERWISE SPECIFIED)

- MATERIAL :**
SHELL : ZINC ALLOY , NICKEL PLATED.
INSERT : THERMOPLASTIC , U194 V-0.
END CAP : THERMOPLASTIC , U194 V-0.
PLASTIC BUSHING : THERMOPLASTIC , U194 V-0.
SEAL GASKET : NBR/SILICONE RUBBER.
O-RING : NBR/SILICONE RUBBER.
WIRE SEAL : SILICONE RUBBER.
- SPECIFICATIONS :**
2.1 RATED CURRENT : 13A (MAX).
2.2 RATED VOLTAGE : 300V (AC/DC) .
2.3 OPERATING TEMPERATURE : SEE CHART.
2.4 DIELECTRIC WITHSTANDING VOLTAGE : LESS THAN 2 MILLIAMPS CURRENT LEAKAGE@2000 VOLTS AC.
2.5 INSULATION RESISTANCE : 5000 MEGOHMS MIN.
2.6 IP--CLASS : IP67.
2.7 MATING CYCLES DURABILITY : 500 CYCLES MIN.
2.8 ROHS COMPLIANT.
- SUITABLE CONTACTS : .16# CONTACTS.**
- ALL DIMENSIONS ARE FOR REFERENCE USE ONLY.**
- CONTACT SIZE AND REAR SEAL WIRE RANGE :**



PANEL CUT OUT REFERENCE

KEY POS	PART NUMBER	
	-40°C ~ 105°C	-40°C ~ 125°C
N	RT001619PNHEC	RT001619FNHEC03
W	RT001619PMHEC	RT001619FWMHEC03
X	RT001619PXHEC	RT001619FXHEC03
Y	RT001619PYHEC	RT001619FYHEC03
Z	RT001619PZHEC	RT001619FZHEC03

QUANTITY	SEE PART NUMBER CHART	PART NUMBER	DESCRIPTION	ITER
MATERIALS LIST				

CONTACT SIZE	MIN. INSUL O.D.	MAX. INSUL O.D.	WIRE RANGE
.16#	Ø2.0mm	Ø3.2mm	14 - 24AWG

UNLESS OTHERWISE SPECIFIED		SIGNATURES		DATE	
1) ALL DIMENSIONS ARE IN MILLIMETERS	2) TOLERANCES ARE AS SHOWN	DRAWN: Ben	DATE: 11/19/2014	DESIGNED: Ben	DATE: 11/19/2014
3) HOLE REFERENCE =	4) HOLE REFERENCE =	ENGINEER: [Signature]	APPROVAL: [Signature]	CUSTOMER: [Signature]	DATE: [Signature]
PROCESS SPECIFICATIONS:		THIS DRAWING IS SUPPLIED FOR SPECIFICATIONS AND PERFORMANCE DATA. THE DRAWING IS NOT TO BE USED FOR REPRODUCTION OR REPRODUCTION IN ANY MANNER. ALL MANUFACTURING VARIATIONS ARE ACCEPTED.			
MATERIAL SPECIFICATIONS:		ECO-MATE RECEPTACLE SIZE 16, 19POS, PIN, END CAP.			
NEXT ASST:		<p style="text-align: center;">Amphenol</p> <p style="text-align: center;">Sine Systems - www.amphenol-sine.com 44724 Morley Drive Clinton Township, MI 48038</p>			
SCALE: NONE	SIZE: B	TYPE: C-	DWG NO: RT001619P*HEC*	REVISION: B1	SHEET 1 OF 1