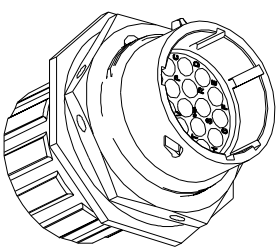
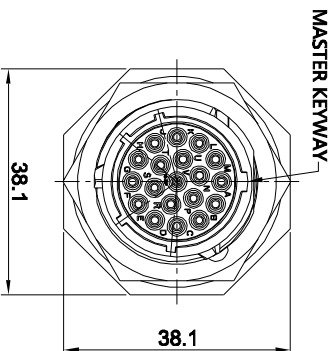
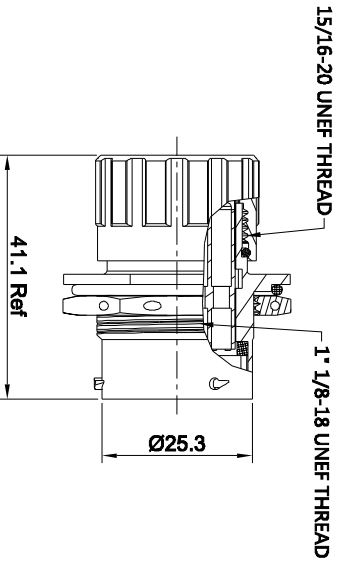


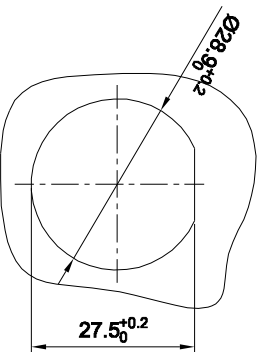
REVISIONS				
REV	ECO	DESCRIPTION	DATE	BY APPR
B1	-	RELEASED DRAWING	JUN-18-2014	BEN TOMMY



NOTES : (UNLESS OTHERWISE SPECIFIED)
 1. MATERIAL :

- SHELL : ZINC ALLOY , NICKEL PLATED.
 - INSERT : THERMOPLASTIC , U194 V-0.
 - END CAP : THERMOPLASTIC , U194 V-0.
 - PLASTIC BUSHING : THERMOPLASTIC , U194 V-0.
 - NUTS : AL ALLOY NICKEL PLATED.
 - SEAL GASKET : NBR/SILICONE RUBBER.
 - O-RING : NBR/SILICONE RUBBER.
 - WIRE SEAL : SILICONE RUBBER.
2. SPECIFICATIONS :
- 2.1 RATED CURRENT : 13A (MAX).
 - 2.2 RATED VOLTAGE : 300V (AC/DC).
 - 2.3 OPERATING TEMPERATURE : SEE CHART.
 - 2.4 DIELECTRIC WITHSTANDING VOLTAGE : LESS THAN 2 MILLAMPS CURRENT LEAKAGE@2000 VOLTS AC.
 - 2.5 INSULATION RESISTANCE : 5000 MEGOHMS MIN.
 - 2.6 IP--CLASS : IP67.
 - 2.7 MATING CYCLES DURABILITY : 500 CYCLES MIN.
 - 2.8 ROHS COMPLIANT.
3. SUITABLE CONTACTS : 16# CONTACTS.
4. ALL DIMENSIONS ARE FOR REFERENCE USE ONLY.
5. CONTACT SIZE AND REAR SEAL WIRE RANGE:

CONTACT SIZE	MIN. INSUL. O.D.	MAX. INSUL. O.D.	WIRE RANGE
16#	Ø22mm	Ø33mm	14 - 24AWG



KEY POS	PART NUMBER
-40°C ~ 105°C	-40°C ~ 125°C
N	RT071619PNHEC RT071619PNHECC03
W	RT071619PMHEC RT071619PMHECC03
X	RT071619PXHEC RT071619PXHECC03
Y	RT071619PYHEC RT071619PYHECC03
Z	RT071619PZHEC RT071619PZHECC03

QUANTITY	SEE PART NUMBER CHART	PART NUMBER	DESCRIPTION	ITER
MATERIALS LIST				

SIGNATURES	DATE
DRAWN: BEN	JUN14/14
CHECKED:	
ENGINEER:	
APPROVAL:	
CUSTOMER:	

UNLESS OTHERWISE SPECIFIED	THIS DRAWING IS SUPPLIED FOR
1) ALL DIMENSIONS ARE IN MILLIMETERS.	SPECIFICATIONS AND PERFORMANCE DATA
2) TOLERANCES ARE AS SHOWN.	THE DRAWING AND THE INFORMATION CONTAINED
3) Hole reference =	HEREIN ARE THE PROPERTY OF SLINE SYSTEMS, INC.
	REPRODUCTION IN ANY MANNER WITHOUT THE
	WRITTEN PERMISSION OF SLINE SYSTEMS, INC. IS
	PROHIBITED. ALL RIGHTS RESERVED. © 2014
	MANUFACTURING VARIATION